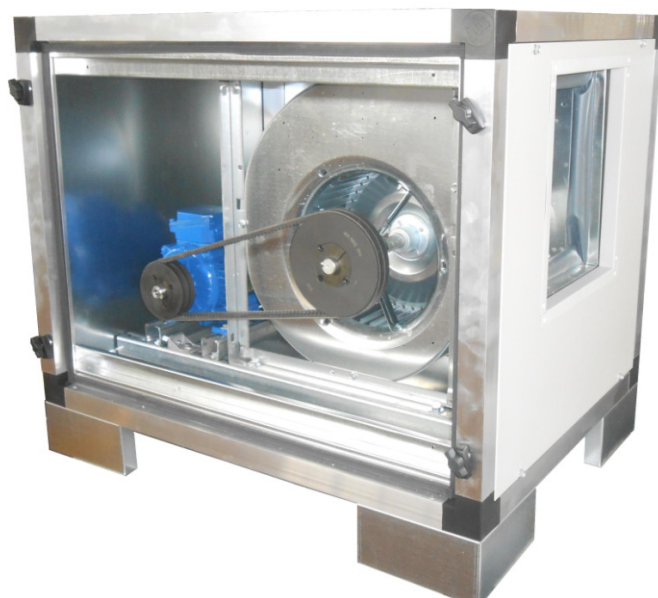




CV

AIR EXTRACTORS

9 sizes for air volumes from 500
to 38.000 m³/h





AIR EXTRACTORS CV SERIES

The CV series of air extractors is the result of careful technical design. The extractors have been manufactured so as to make them versatile and suitable for all applications where forced ventilation is required. The series comes in nine different sizes ranging from 500 to 38.000 m³/h and for static available pressures up to 500 Pa. Different versions and arrangements are available for each size. In accordance with its policy of flexibility, TCF analyses specific customer requests to offer customized extractors. Careful attention has been given to noise and vibration levels to ensure that these be as low as possible. The ventilators and motors are mounted on elastic supports. The fans are secured to the structure using vibration-proof couplings.

DESIGN FEATURES

- Aluminium section frame.
- Twin 25 mm sheet metal panels. The internal layer is galvanized and the outer layer plasticized and galvanized. There is a layer of heat injected expansion polyurethane between the two metal layers.
- Flange for channel connection.
- Twin extraction "rectangular inlet" ventilators with dynamically and statically balanced fan wheels.

- Externally ventilated enclosed electric motor suitable for functioning with three-phase 230/400 V current.
- Manufactured according to UNEL MEC B3 format and IP 55 protection standards.
- Fan-motor transmission using belts and pulleys. Variable step drive pulley up to 2.2 kW. The pulley is fixed beyond this power level.
- Vibration-proof coupling on the fan inlet, complete with flange on the supply side.
- Removable inspection cover for easy maintenance.
- Protective mesh on the inspection cover in accordance with current safety standards.
- Support feet, bases for the CV 56, 63 and 71.

AVAILABLE VERSIONS

- Outdoor execution
- Explosion-proof version;
- 4/6 and 4/8 pole motors;

ACCESSORIES

- Power switch;
- Brackets for ceiling mounting;
- Exhaust outlet hood;
- Inlet air damper;



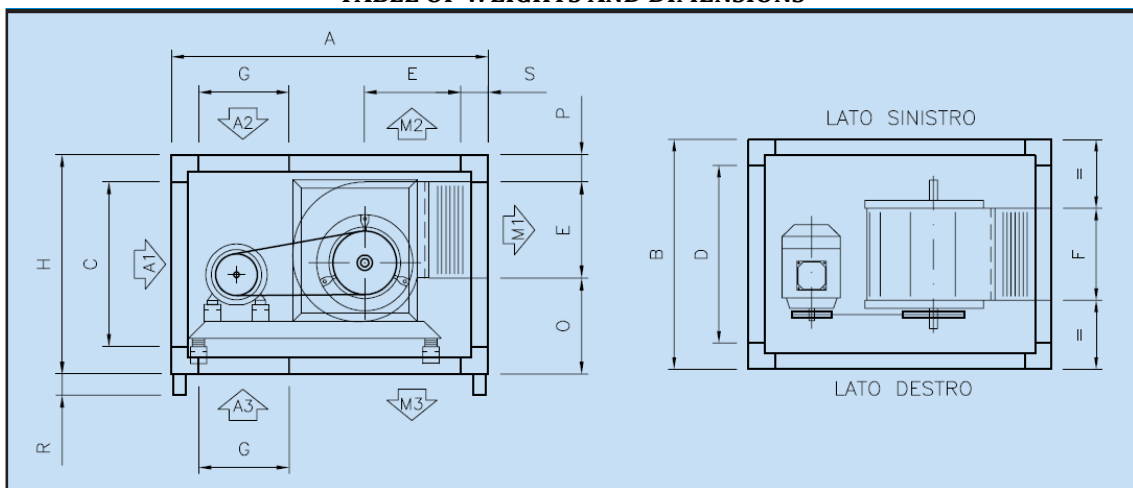


Mod.	Flow rate m ³ /h	Static head Pa																			
		100				200				300				400				500			
		Rpm	kW	dB(A)*	dB(A)**	Rpm	kW	dB(A)*	dB(A)**	Rpm	kW	dB(A)*	dB(A)**	Rpm	kW	dB(A)*	dB(A)**	Rpm	kW	dB(A)*	dB(A)**
CV 18	500	1000	0.37	53	35	1350	0.37	59	29	1638	0.37	63	33	1884	0.37	66	44	2100	0.55	69	38
	1000	1030	0.37	56	38	1360	0.37	60	30	1650	0.37	64	34	1900	0.55	67	46	2100	0.55	69	39
	1500	1100	0.37	61	43	1400	0.37	63	33	1700	0.55	66	36	1950	0.55	68	40	2150	0.75	71	40
CV 25	1500	-	-	-	-	920	0.37	65	32	1150	0.55	69	40	1300	0.75	72	43	1500	0.75	75	47
	2500	-	-	-	-	910	0.55	67	44	1120	0.75	71	42	1300	0.75	73	44	1450	1.1	76	47
	3500	750	0.55	70	47	950	0.75	71	48	1120	1.1	73	44	1300	1.1	75	46	1450	1.5	76	48
CV 31	3500	-	-	-	-	725	0.55	68	49	900	1.1	72	54	1050	1.1	74	56	1200	1.5	77	46
	4500	500	0.55	70	52	700	0.75	70	52	880	1.1	72	54	1030	1.5	75	57	1170	2.2	77	46
	6000	550	0.75	71	57	700	1.1	73	54	880	1.5	75	56	1000	2.2	77	58	1150	2.2	78	48
CV 35	6000	-	-	-	-	620	1.1	71	52	760	1.5	73	54	890	2.2	76	57	990	2.2	77	58
	8000	500	1.1	74	57	630	1.5	75	55	760	2.2	76	57	890	2.2	78	59	990	3	79	60
	10000	570	2.2	79	59	680	2.2	79	59	780	3	80	60	890	3	81	61	990	4	82	62
CV 45	8000	360	0.75	64	54	500	1.1	67	58	620	1.5	71	54	730	2.2	74	56	820	3	76	59
	12000	420	1.5	71	62	520	2.2	72	63	620	3	73	56	700	3	75	58	800	4	77	60
	15000	480	3	76	67	560	3	76	64	640	4	77	60	720	4	78	60	790	5.5	79	61
CV 50	15000	420	2.2	71	61	500	3	71	62	590	3	73	57	670	4	75	58	750	5.5	77	60
	18000	460	3	75	65	540	4	75	65	610	4	75	59	680	5.5	77	60	750	7.5	78	61
	20000	500	4	77	67	570	5.5	77	62	640	5.5	77	61	700	7.5	78	61	770	7.5	79	62
CV 56	20000	370	3	73	65	450	4	73	66	520	4	75	67	590	5.5	77	58	650	7.5	78	59
	22000	390	3	76	68	460	4	76	68	530	5.5	76	61	600	7.5	76	61	660	7.5	79	60
	24000	420	4	78	70	480	5.5	78	70	540	7.5	78	61	600	7.5	79	61	660	11	80	61
CV 63	24000	300	3	73	66	370	4	74	67	440	5.5	75	69	500	7.5	77	70	570	7.5	79	60
	28000	330	4	76	70	390	5.5	76	70	450	7.5	77	70	510	7.5	78	72	560	11	80	61
	30000	350	5.5	78	71	400	7.5	78	71	460	7.5	78	72	520	11	79	73	570	11	80	62
CV 71	30000	280	4	73	66	340	5.5	74	66	400	7.5	75	67	450	7.5	76	69	500	11	78	71
	34000	290	5.5	76	69	350	7.5	76	69	400	7.5	77	69	450	11	78	70	500	11	79	72
	38000	320	7.5	79	72	370	7.5	78	71	420	11	79	71	470	11	79	72	510	11	80	73

(*) Sound pressure level calculated in free field at 1 meter from the fan inlet

(**) Sound pressure level calculated in free field at 1 meter from the panels of the unit

TABLE OF WEIGHTS AND DIMENSIONS



MODELLO	A × B [mm]	H [mm]	D × C [mm]	E × F [mm]	G [mm]	Peso [Kg]
CV 18	800 × 550	550	470 × 470	230 × 230	300	58
CV 25	950 × 650	650	570 × 570	325 × 325	450	93
CV 31	1050 × 780	780	700 × 700	400 × 400	500	110
CV 35	1200 × 880	880	800 × 800	450 × 450	600	170
CV 45	1350 × 1080	1080	1000 × 1000	570 × 570	700	320
CV 50	1500 × 1180	1180	1100 × 1100	640 × 640	800	380
CV 56	1600 × 1330	1330	1230 × 1230	700 × 700	900	410
CV 63	1750 × 1480	1480	1380 × 1380	800 × 800	1000	480
CV 71	1750 × 1660	1580	1560 × 1480	900 × 900	1100	600



**TERMOVENTILATORI
CONDIZIONATORI
FELSINEA srl**

40057 Cadriano di Granarolo Emilia (Bologna)
Via Giuseppe di Vittorio, 5
Tel. 051765002 - Fax 051765317
www.tcf.it